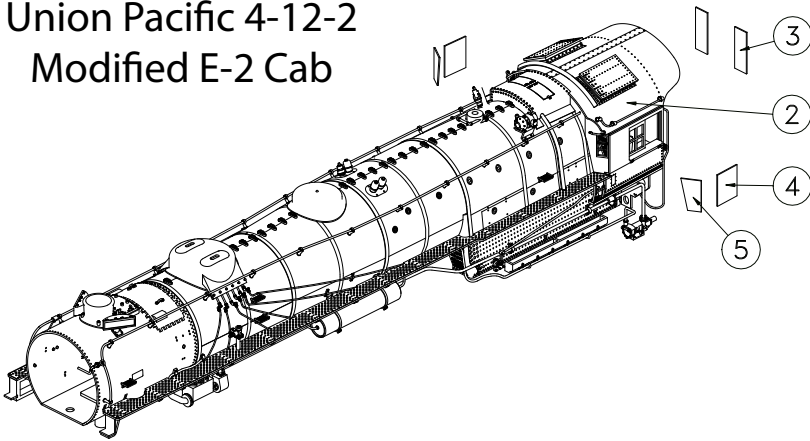


Union Pacific 4-12-2 Modified E-2 Cab



18,000 Gallon Tender

