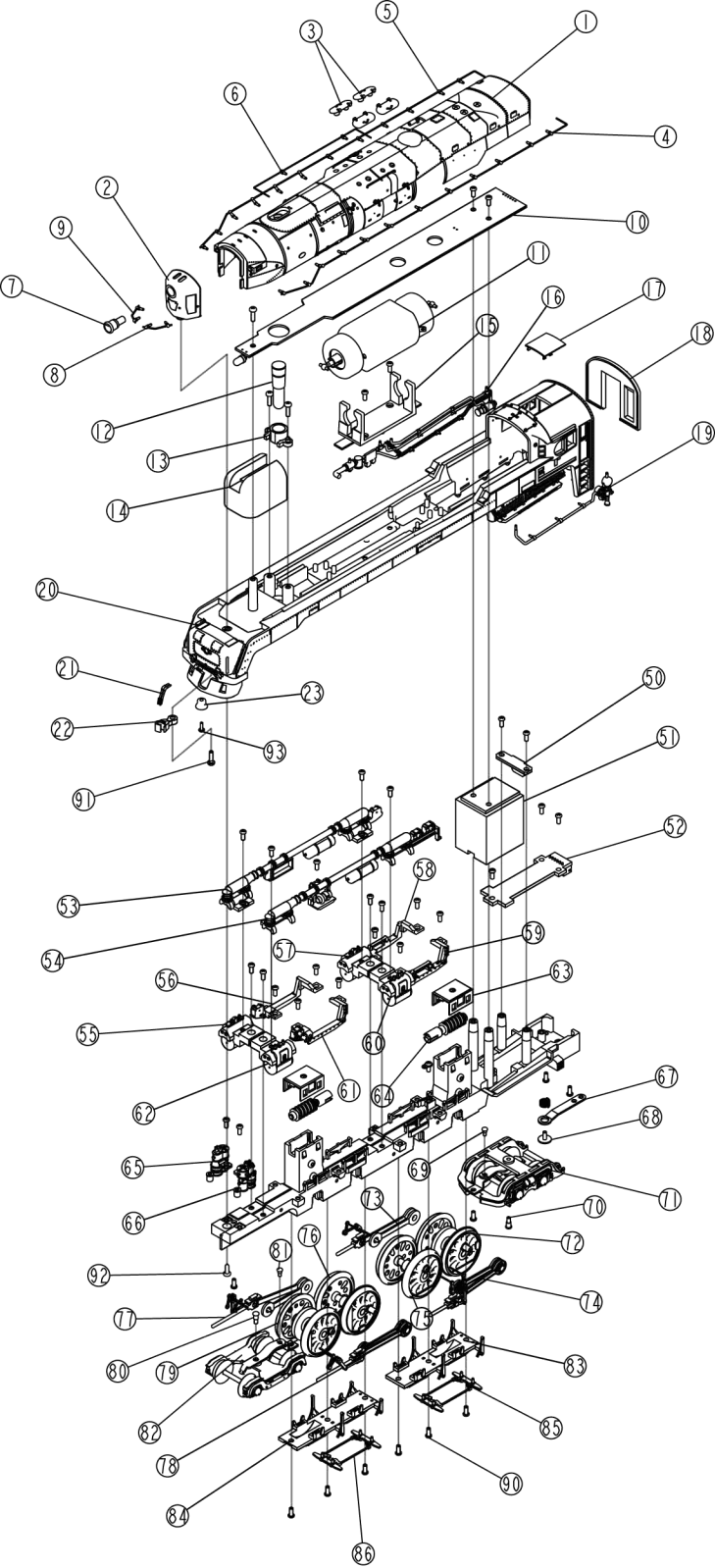




PRR T1 4-4-4-4



Locomotive

Tender

