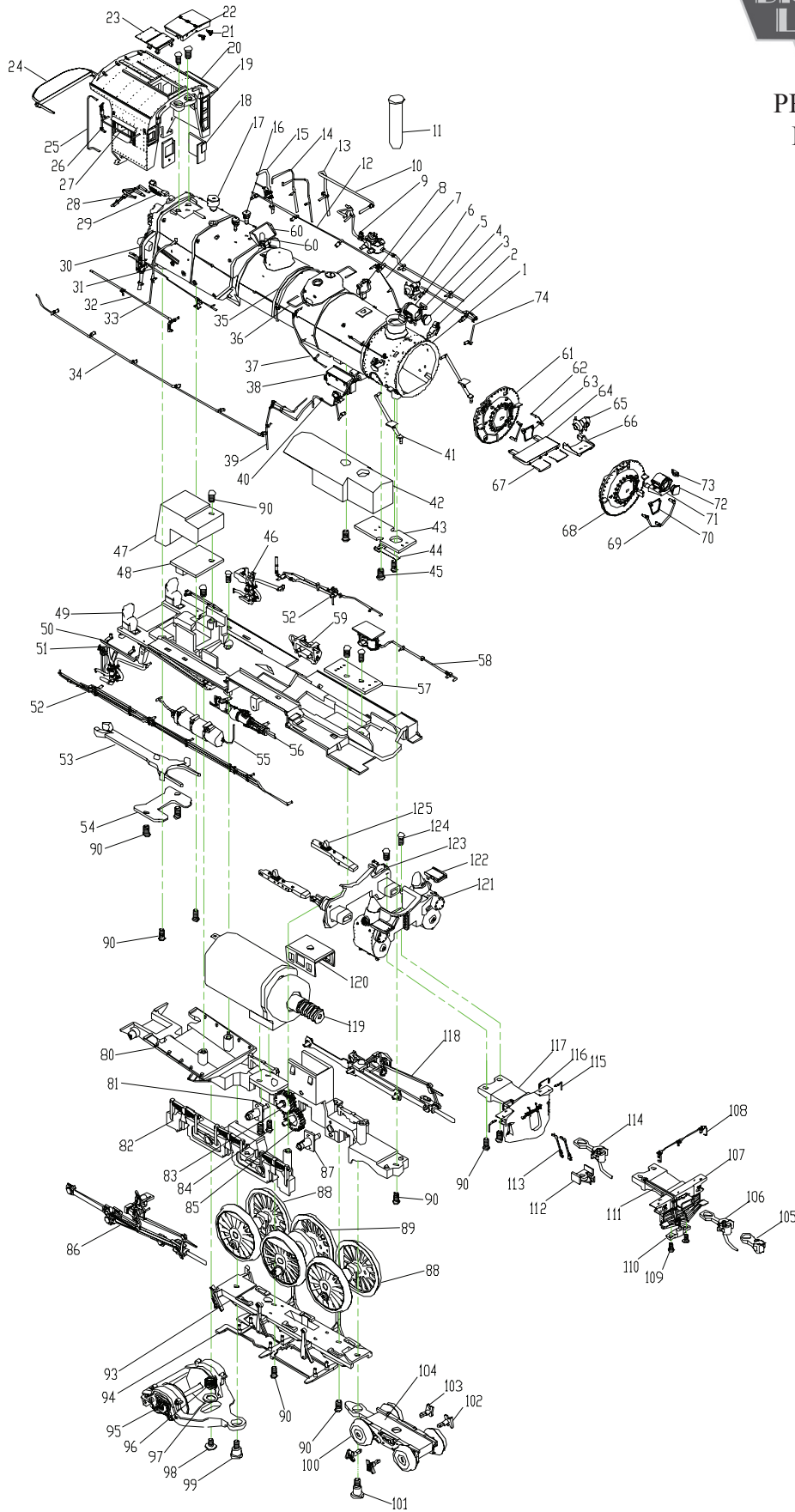




PRR K4s 4-6-2  
Locomotive





PRR K4s 4-6-2  
Tender

