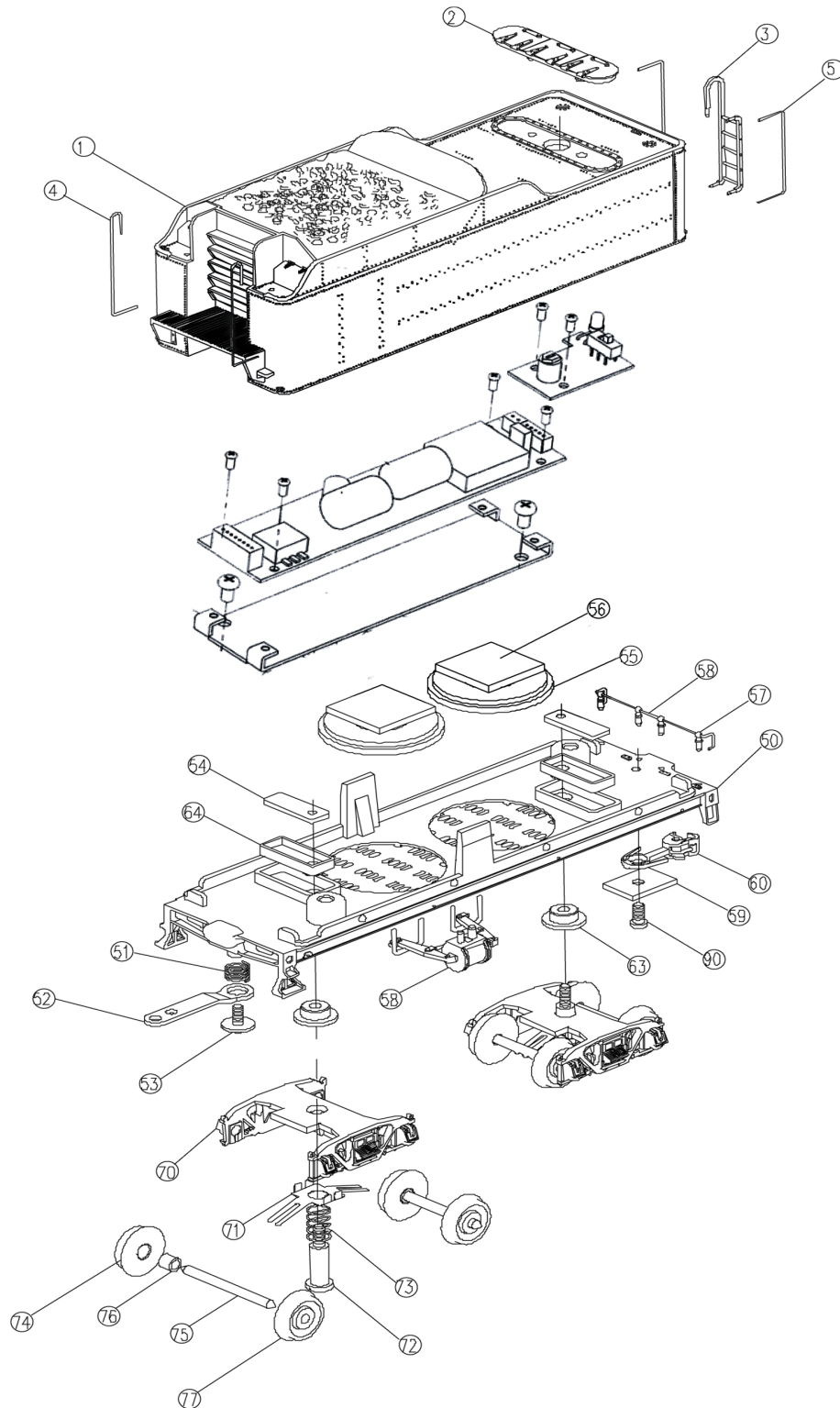


2-8-0 Consolidation



Tender Exploded View Diagram