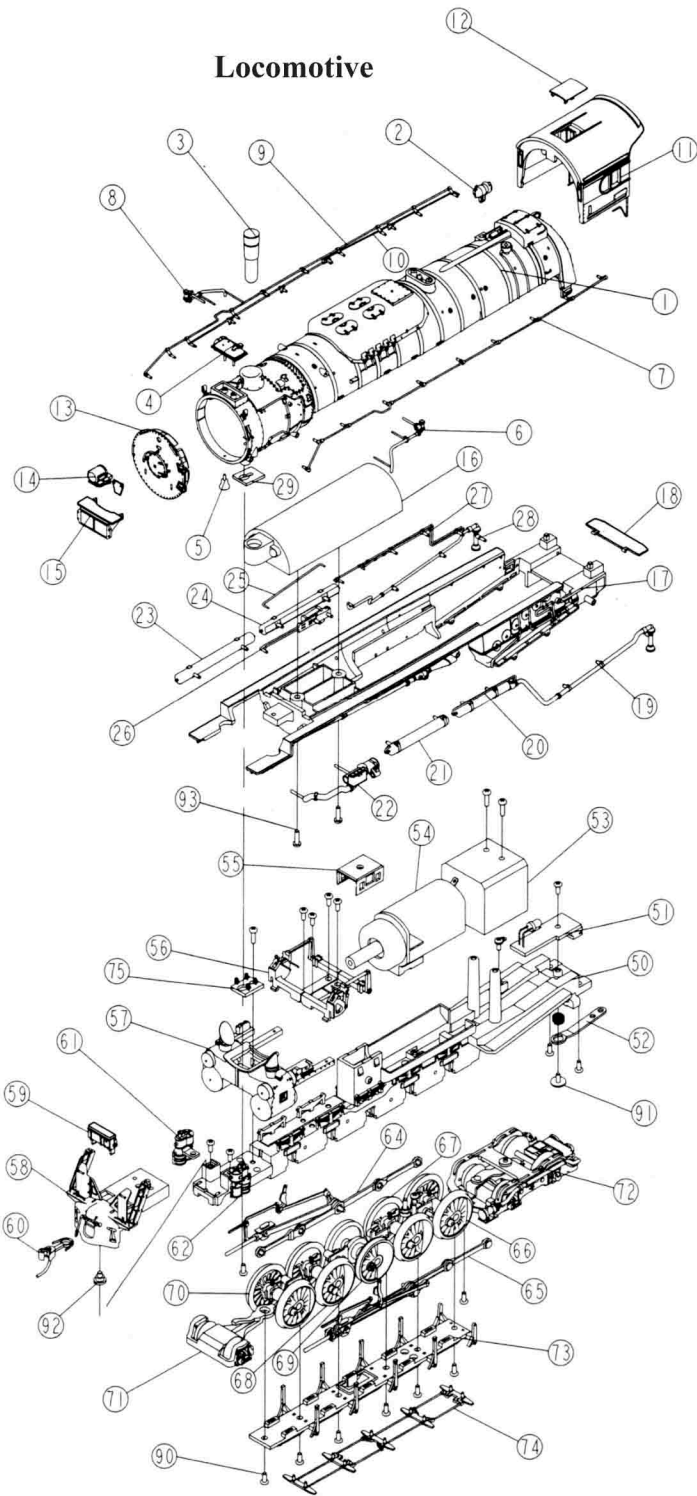




PRR J1, HO

Locomotive



Tender

